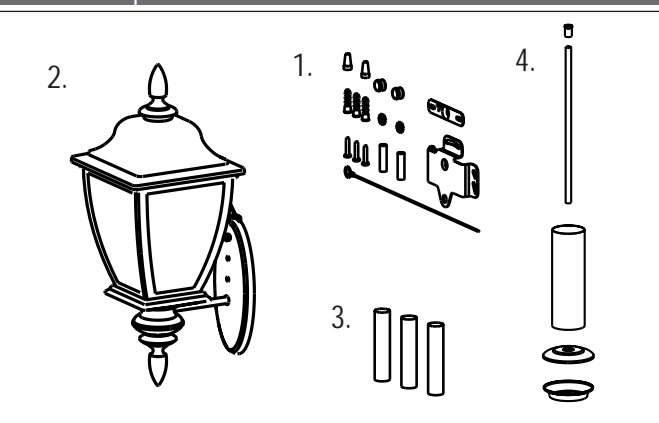


Lantern Exploded View



Parts Enclosed:

- 1. Mounting hardware
- 2. Lantern Fixture
- 3. Socket Covers
- 4. Tail Adaptor

Tools Needed:

- 1. Phillips screw driver
- 2. Blade screw driver
- 3. Adjustable wrench
- 4. Step ladder
- 5. Wire cutters
- 6. Wiring supplies as required by electrical code

READ AND SAVE THESE INSTRUCTIONS

CAUTION:

Before installing your light fixture, refer to the section titled Electrical Connections. If you feel you do not have electrical wiring experience, refer to a do-it-yourself wiring handbook or have your fixture installed by a qualified licensed electrician.

Due to the fixture size and weight, it may be necessary for more than one (1) person to assist in the installation of this lantern. (Approximately 25lbs.)

General:

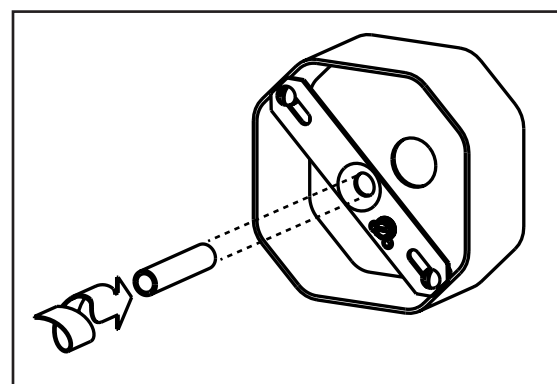
1. Read all instructions and review diagrams beginning with the installation of the fixture.
2. All electrical connections must be in accordance with local codes, ordinances, or the National Electrical Code. If you are unfamiliar with methods of electrical wiring, secure the services of a qualified licensed electrician.
3. These fixtures are intended to be mounted to a 4" metal octagon electrical box. The electrical box must be attached to and directly supported by the building structure.
4. If you are installing on vinyl siding a filler plate is recommended. Check with your supplier or call our technical services number if you need assistance (1-800-566-1986).
5. Before starting the installation, disconnect the power by turning off the circuit breaker or removing the fuse at the fuse box.

BEFORE BEGINNING INSTALLATION:

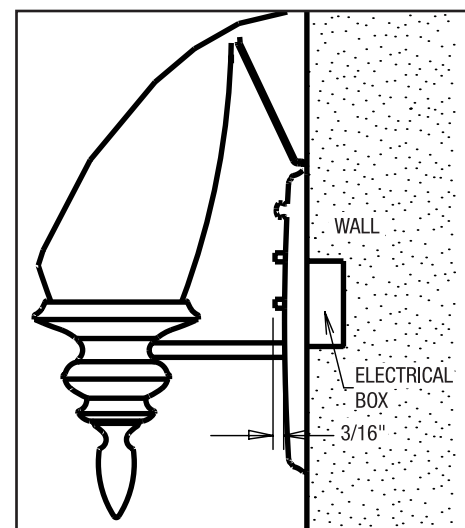
1. Turn off the electricity to the outlet box at the circuit breaker or fuse box.
2. If you are replacing an existing fixture, remove the old fixture and expose the supply wiring from the outlet box.
3. Remove the old cross bar from the outlet box and save the two outlet box screws.
4. With the green colored grounding screw facing out, attach the new cross bar to the outlet box using the outlet box screws.

Installing Fixture: 7337 Lantern

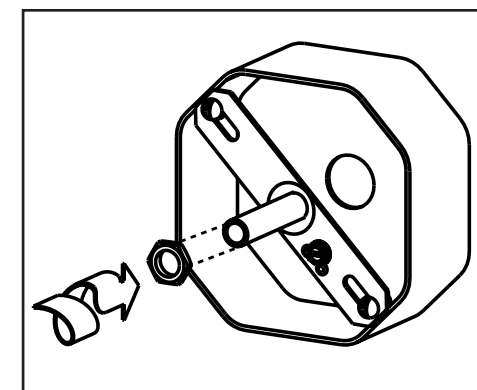
- 1 Thread the nipple into the center hole in the cross bar.



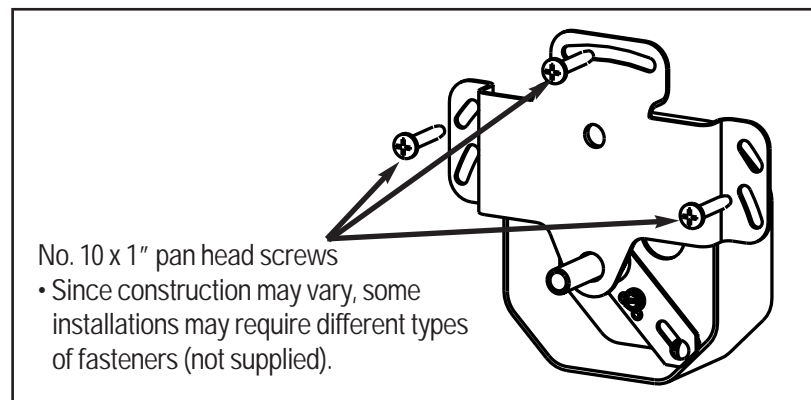
- 2 Place the center of the backplate over the nipple and turn it in or out to reveal 3/16" of exposed threads. Remove fixture.



- 3 Thread the hex nut onto the nipple and tighten securely. Ensure that the nipple does not turn while tightening the hex nut.

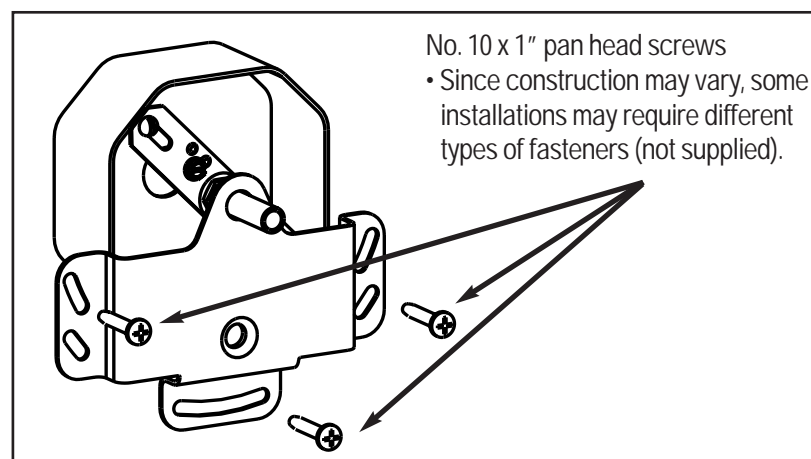


- 4a STANDARD INSTALLATION TECHNIQUE
Place the mounting bracket over the nipple. Mark 3 center locations for No. 10 x 1" pan head screws. (Locations shown are for reference only.) Locate fasteners where solid structural support exists. See below.

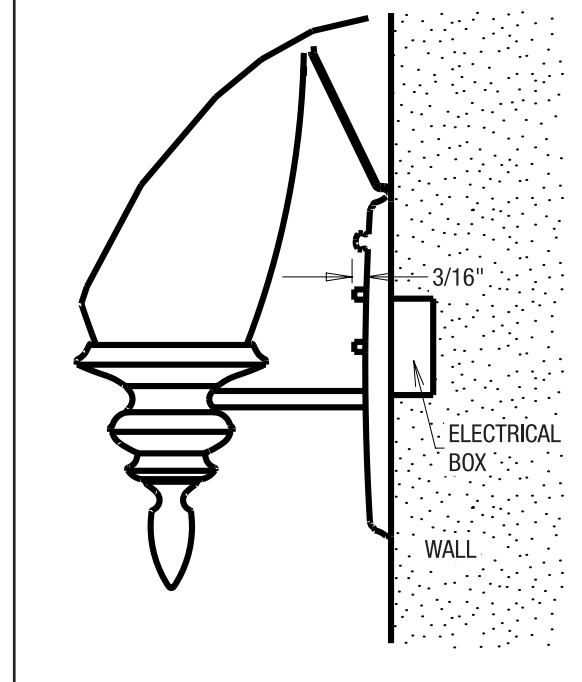
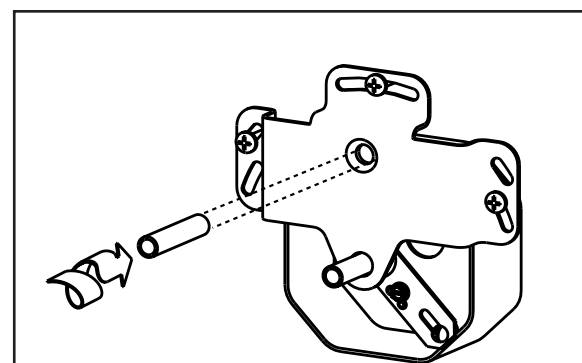


If box location is too close to the ceiling or other obstruction, you can mount the lantern 2" lower by locating the top hole of the lantern backplate over the center of the electrical box, and installing the mounting plate upside down (see figure 4b).

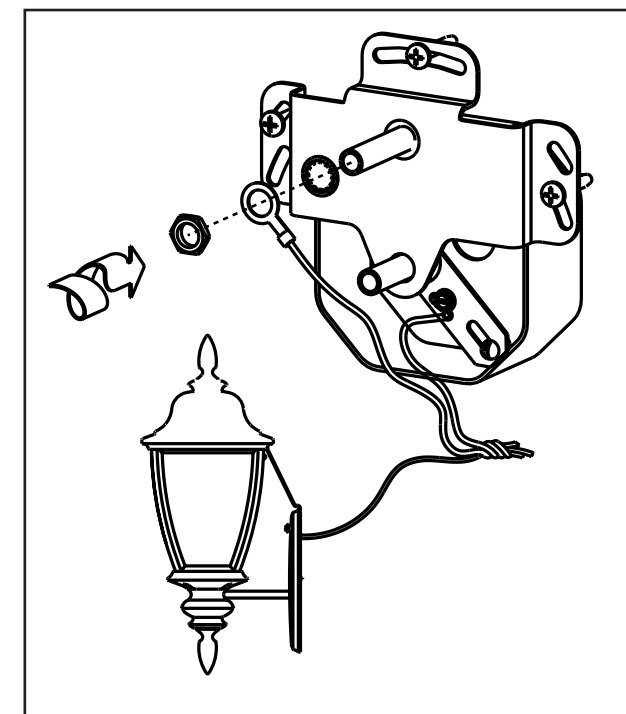
- 4b ALTERNATE INSTALLATION TECHNIQUE
Place the mounting bracket over the nipple. Mark 3 center locations for No. 10 x 1" pan head screws. (Locations shown are for reference only.) Locate fasteners where solid structural support exists. See below.



- 5 Install No. 10 x 1" pan head screws in holes. Tighten screws until snug. Then loosen 1 full turn. Thread nipple into the open hole of the mounting bracket. Place lantern over box and adjust nipple by turning in or out to expose 3/16" of thread. Rotate lantern left or right until straight. Remove lantern, (ensure that mounting bracket does not turn). Tighten No. 10 x 1" pan head screws.



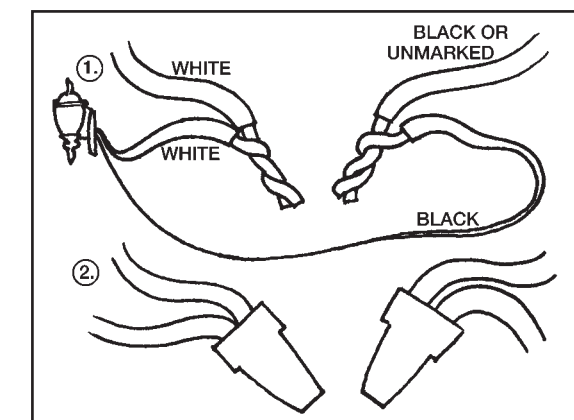
- 6 Place lock washer and ground wire over top nipple. Attach hex nut and tighten securely. Ensure that the nipple does not turn while tightening the hex nut.



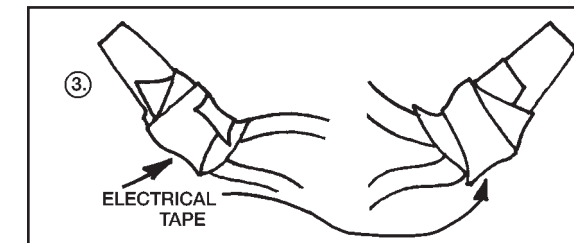
- 7 Make electrical connections. Refer to electrical connection section - Step 1. Assistance may be necessary to support fixture while making electrical connections. Do not allow lantern to be solely supported by electrical connections.

Electrical Connections

- 1 While supporting the fixture, connect the white wire from the fixture to the white or marked wire of the supply circuit. See illustration 1 below.
- 2 Connect the black fixture wire to the black supply wire. Connect the ground wire (bare copper wire) to the ground conductor of the supply circuit. Secure with UL listed wire connectors suitable for the size, type, and number of wires. Make sure that there are no loose strands of wire and that there are no loose connections. See illustration 2 below.



- 3 Secure the wire connectors with UL listed electrical tape.



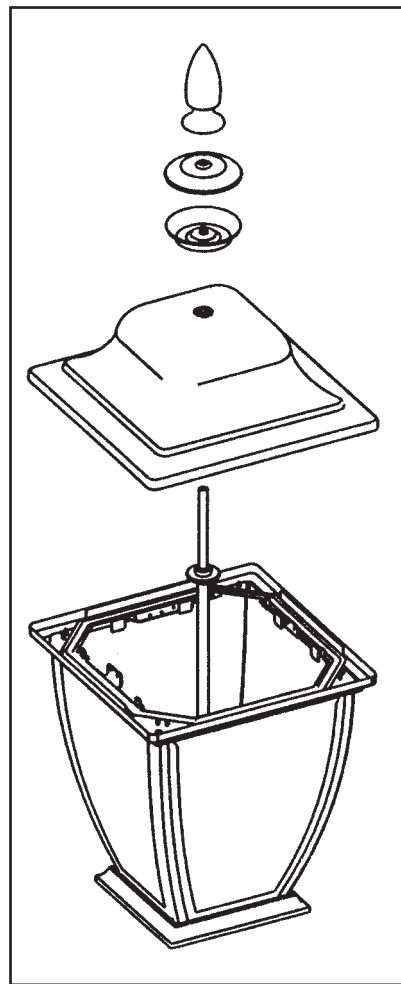
Installing Fixture

- 4 Spread the electrical wire connections apart and back into the outlet box. Hint: Position wire nuts in upright position to prevent water from pooling.
- 5 Place the fixture over the outlet box so that the threaded studs or pipe nipple extends through the fixture backplate. Secure the fixture against the mounting surface using the 2 mounting caps provided.
- 6 Slip socket covers over exposed sockets before installing bulbs. Install bulbs. Do not exceed the maximum wattage for this fixture. Refer to wattage warning label attached to the fixture for maximum allowable wattage.
- 7 NOTE: After installing the lantern, seal the top and the sides of the backplate to the mounting surface with a suitable RTV or silicone caulking compound to prevent water from entering into the electrical box. Do not caulk around the bottom of the fixture. Leave this open so that moisture has a means to escape.

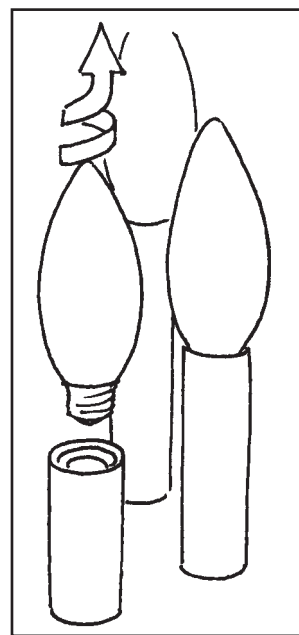
- 8 Restore the electricity to the lantern and test.

Read And Save These Instructions. Refer To Illustrations Below For Opening Fixture And Replacing Bulbs

- 1** FOR 7337 LANTERNS ONLY
Unscrew (counterclockwise) finial from top of lantern and remove roof.



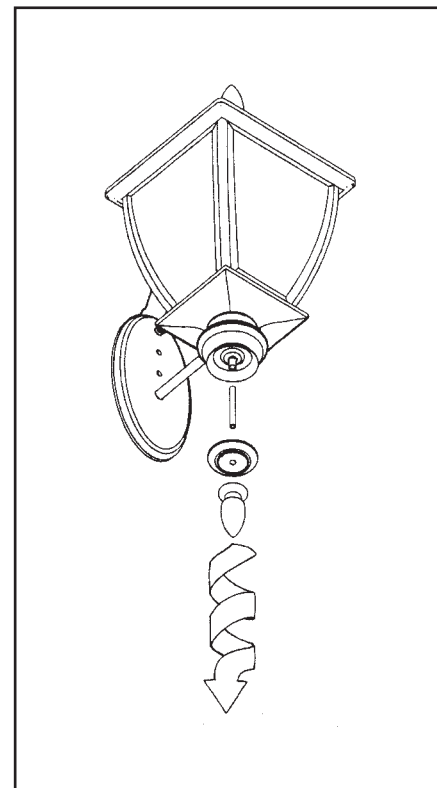
- 2** Replace bulbs. Caution: Do not exceed the maximum allowable wattage for this fixture. Refer to warning label attached to fixture.



- 3** Replace roof and finial.

Instructions For Adding Tail Assemblies:

- 1** Remove the finial, finial base and small threaded pipe from the bottom of the lantern. This will expose the threaded pipe coupling.



Congratulations!

With your purchase of Lifetime Exterior Lighting, you're among a group of discerning individuals who know the value of selecting the finest – Baldwin.

Exterior lighting coordinates beautifully, enabling you to carry a specific design theme throughout your home.

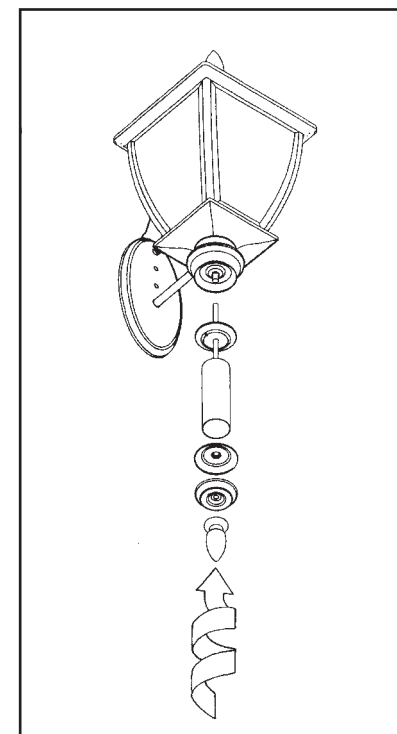
Our step-by-step installation instructions will help guide you through your project quickly and easily.

Before you begin your installation, read and understand the installation instructions. If you have any questions, please do not hesitate to contact our Baldwin Technical Services Department, [1-800-566-1986](tel:1-800-566-1986). We're here to help!

We thank you for your Baldwin purchase and wish you the fullest enjoyment of your Baldwin Exterior Lighting product.

Technical Services Support
1-800-566-1986
Hours: 6 am to Midnight C.S.T.-7days a week.

- 2** Thread large threaded pipe into the exposed threaded pipe coupling. Slide the finial base, (previously removed in step one), and the tail assembly components over long pipe nipple. Thread the finial, (previously removed in step one), onto the large threaded pipe. Make sure that all threaded parts are securely together.



Remember Baldwin

With the completion of your project, remember that Baldwin quality hardware and giftware products are available for all your decorating and remodeling needs. Knob and leversets for interior doors, beautiful bath accessories, and a complete selection of cabinet and door enhancing hardware are all available from your Baldwin retailer.



Outdoor Wall Mounted Lanterns Installation Instructions

Protected with
THE Lifetime FINISH™
FROM BALDWIN®



UL Listed - wet location

PATENTS:
417,925; 417,926; 417,927; 418,243;
418,244; 419,256; 418,623; 420,162;
420,459; 420,460; 420,461; 421,814;
421,504